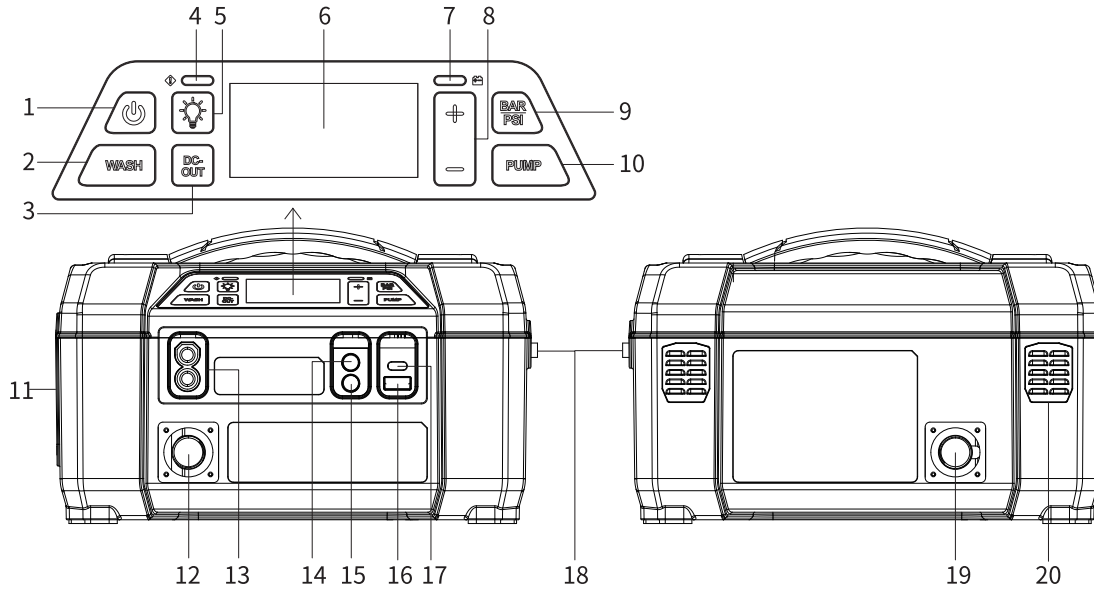


1. Product Overview



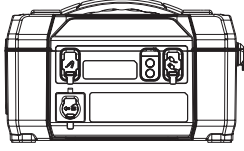
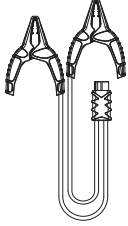
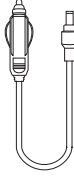
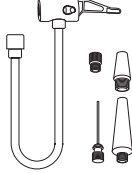

NO.	Function Description	NO.	Function Description
1	Power-on Wake-up Button	11	LED Light
2	Water Pump Switch Button	12	Water Outlet
3	DC Output Power Button	13	Jumpstart Output
4	Red Light (Abnormal alarm indicator)	14	DC Output(12V-16.8V, Max Current 10A)
5	LED Light Power Button	15	DC Input (60W Max)
6	Display Screen	16	USB-A Port (18W Max)
7	Green Light (flashing during emergency start, the light keeps on during forced start)	17	USB-C Output/Input (60W Max)
8	Preset Tire Pressure Button	18	Air Pump Output
9	BAR/PSI Unit Switch Button and Force Start Switch	19	Water Inlet
10	Air Pump Power Button	20	Vent

2. Parameter Specifications

Function	AW401	Specific parameters
Jump Starter	Starting Voltage	12V
	Starting Current	1500A
	Peak Current	2500A
	Operating Temperature	-20°C~50°C
	Gasoline Engine Rating	≤8.5L
	Diesel Engine Rating	≤6.5L

Function	AW401	Specific parameters
Air Pump	Inflation pressure range	10~150 PSI
	Sensor Precision	±2 PSI
	Airflow	35L/Min
	Unit switching	BAR/PSI
	Other functions	Built-in air pump, support tire pressure detection, preset charge and stop, air pressure unit switching
Water Pump	Operation Pressure	1.5Mpa
	Rated water flow	7~9L/min
	Maximum suction lift	5M
	Self-suction height	3M
	Maximum lift distance	100M
	Maximum water outlet distance	50M
	Operating temperature	5°C~50°C
Power Bank	Capacity	74Wh
	Charging temperature	0°C~45°C
	Storage temperature	-20°C~50°C
	Output USB-A	5V/3A,9V/2A,12V/1.5A(18W MAX)
	Output USB-C	5V/3A,9V/3A,12V/3A,15V/3A,20V/3A(60W MAX)
	Output DC	12~16.8V/10A(MAX)
	Input DC	12V/5A (60W MAX)
	Input USB-C	5V/3A,9V/3A,12V/3A,15V/3A,20V/3A(60W MAX)
LED	Luminous flux	500Lumens

3. What is Included

Product unit	LO-CLAMP -Pro	12V adapter	Air pump accessories	Car wash accessory
				
<p>Water inlet/ outlet pipe</p>	<p>Nipple connector /Wrench</p>	<p>USB-C cable</p>	<p>USB-A to USB-C cable</p>	<p>User manual</p>
